

Automatic Electric Gun

XTC series

Xtreme Tactical Carbine



www.modify-tech.com/download.php

⚠ WARNING!

+18 | NOT A TOY. USER RESTRICTED TO 18 YEARS OF AGE OR OLDER

 ALWAYS KEEP THE AIRSOFT GUN POINTED IN A SAFE DIRECTION.
THIS AIRSOFT GUN MAY CAUSE SERIOUS INJURY IF MISUSED OR MISHANDLED

 ALWAYS READ THROUGH ALL INSTRUCTIONS BEFORE USING

 THE PURCHASER AND USER SHOULD CONFORM TO ALL LAWS GOVERNING OWNERSHIP,
TRANSPORT AND USE OF AIRSOFT GUNS.

Surprising and Amazing always come with **MODIFY**





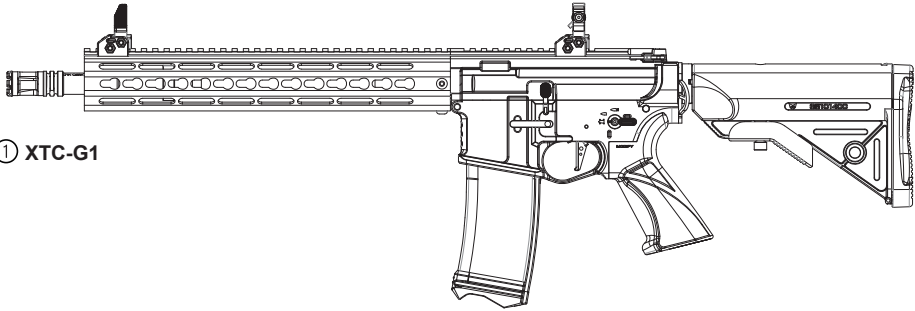
Automatic Electric Gun

XTC

series

Xtreme Tactical Carbine

1 SET CONTENTS



① XTC-G1



② Handling cautions and instruction manual



③ BB pellets



④ Front sight tool adjustment

XTC-G1 Automatic Electric Gun Specification

Name	Xtreme Tactical Carbine-G1
Major Color	BLK
Weight	2.6 KG
Overall	804 mm / 889 mm (with stock extended)
Barrel Length	363 mm
Barrel Caliber	6.1 mm
Pellet	6 mm BB
Magazine Capacity	190 rounds
Shooting Mode	Full Auto, Semi Auto and Safety (45° Safety Selector)
Muzzle Velocity (Adjustable)	Step 1 : 360 FPS Step 2 : 394 FPS Step 1 : 278 FPS Step 2 : 315 FPS

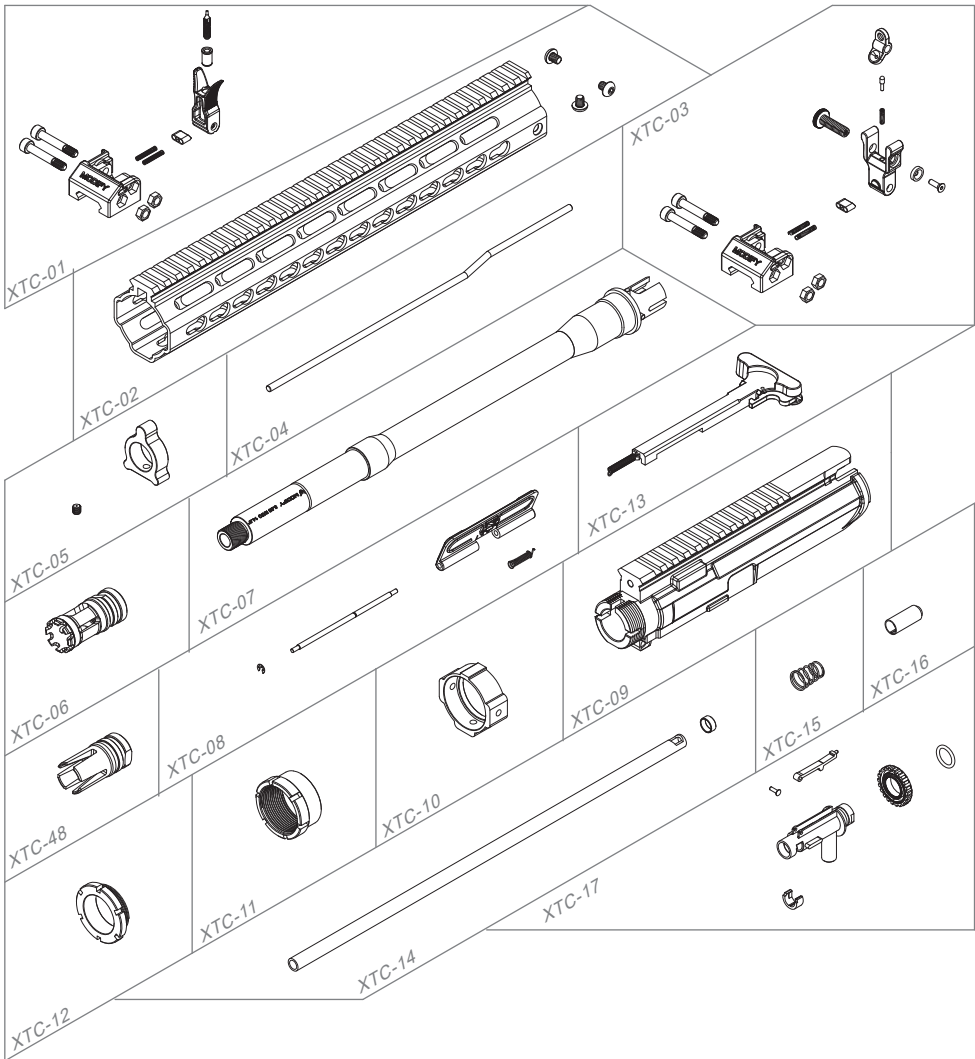
WARNING

- The operation procedure varies according to the model. Make sure to operate an airsoft gun after recognizing its features.
- We are not responsible for any accidents, events, injuries or repair costs arising from wrong operation and handling or by modification and disassembly of the gun.

Notice before operation :

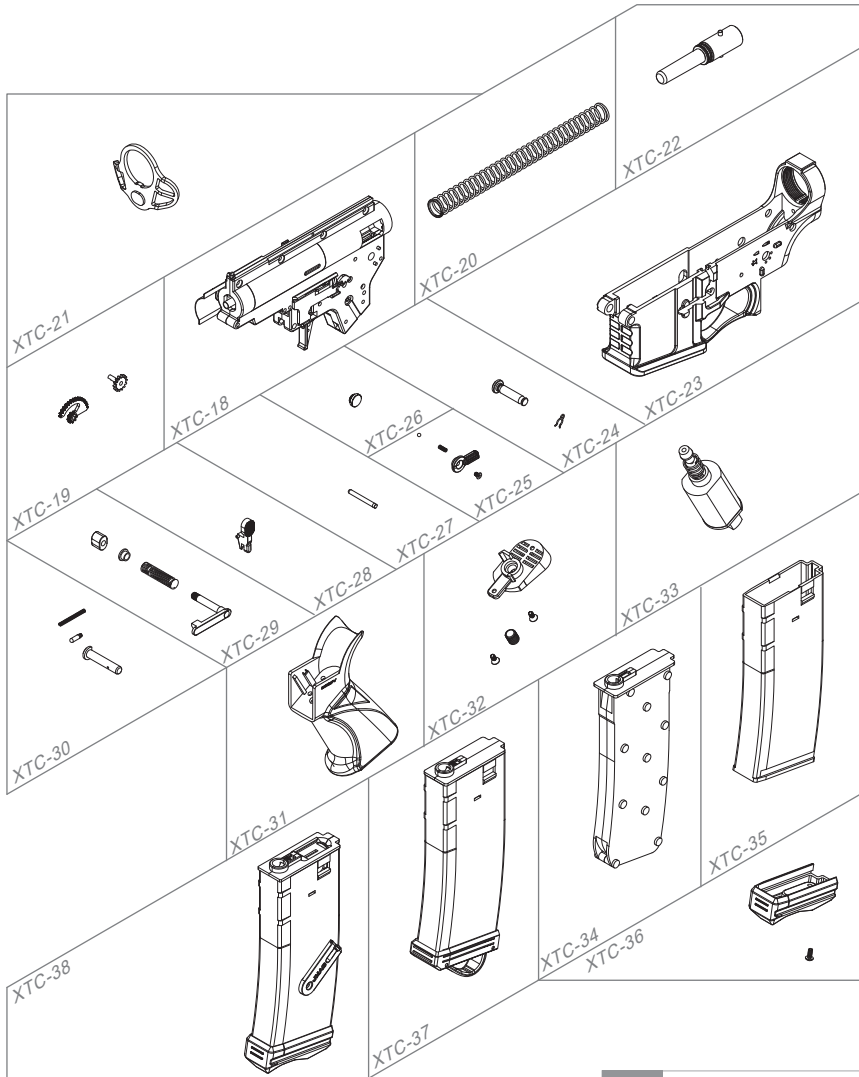
- After receipt the **XTC-G1**, immediately unpack and inspect it for any shipping damage or missing parts. If any sign of damage or missing parts are found, immediately notify the dealer.
- Promptly request a copy if you lose the Handling Cautions and Instruction Manual.

1-1 EXPLODED VIEW



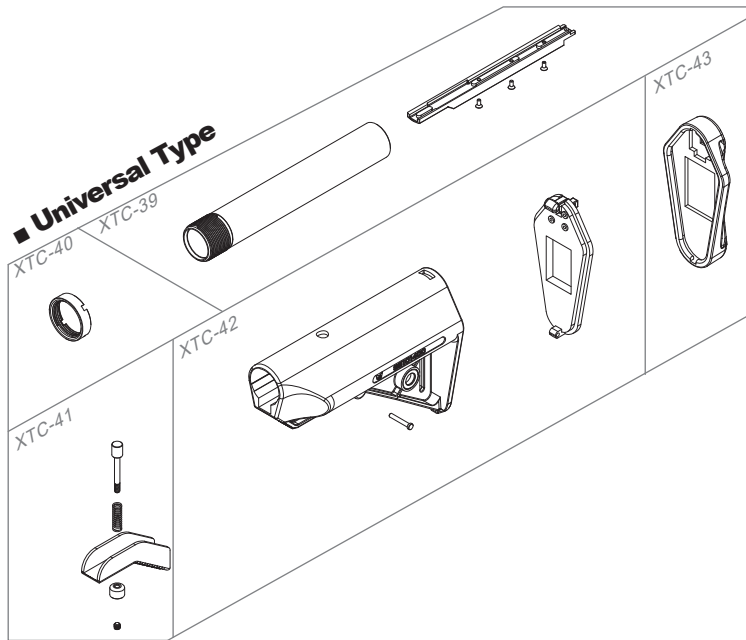
XTC-01	Front Sight	XTC-08	Flash Hider (Orange tip)	XTC-12	Barrel Nut
XTC-02	Key Mod Rail	XTC-07	Outer Barrel	XTC-13	Charging Handle Set
XTC-03	Rear Sight	XTC-08	Bolt Cover	XTC-14	Inner Barrel
XTC-04	Gas Tube	XTC-09	Upper Receiver	XTC-15	Hop Up Spring
XTC-05	Gas Block	XTC-10	Rear Base	XTC-16	Hop Up Bucking
XTC-06	Flash Hider	XTC-11	Rear Lock Ring	XTC-17	Hop Up Chamber

1-2 EXPLODED VIEW



XTC-18	Gear Box Set	XTC-25	Safety Selector	XTC-32	Motor Base Plate
XTC-19	Selector Lever Gear Set	XTC-26	Safety Selector Cover	XTC-33	Motor
XTC-20	Spring-M90 / Spring-M80	XTC-27	Gear Box Pin	XTC-34	Magazine Housing Set
XTC-21	Swivel Sling	XTC-28	Bolt Catch	XTC-35	Magazine Body
XTC-22	Spring Guide	XTC-29	Magazine Catch Set	XTC-36	Magazine Base Plate
XTC-23	Lower Receiver	XTC-30	Take Down Pin Set (Front)		Option
XTC-24	Take Down Pin Set (Rear)	XTC-31	Grip	XTC-37	Bhive 150-Round AEG Tracer Magazine
				XTC-38	J-Mag 300-Round AEG Tracer Magazine

1-3 EXPLODED VIEW



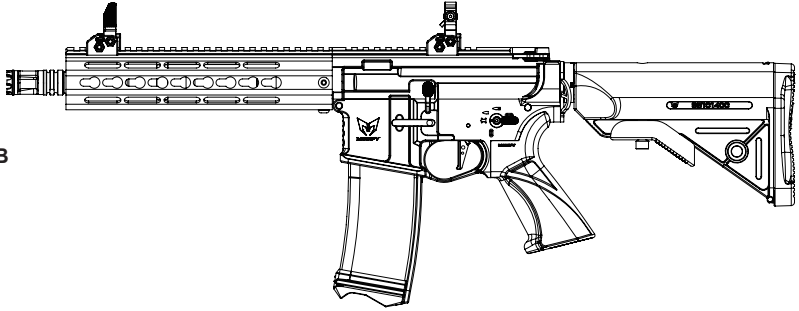
XTC-39	Stock Buffer Tube A	XTC-41	Stock Release Lever Set	XTC-43	Stock Pad
XTC-40	Buffer Tube Retainer	XTC-42	Crane Stock Set		

XTC CQB

Xtreme Tactical Carbine

2 SET CONTENTS

① XTC CQB



② Handling cautions and instruction manual



③ BB pellets



④ Front sight tool adjustment

XTC CQB Automatic Electric Gun Specification

Name	Xtreme Tactical Carbine CQB
Major Color	BLK
Weight	2.5 KG
Overall	678 mm / 763 mm (with stock extended)
Barrel Length	257 mm
Barrel Caliber	6.1 mm
Pellet	6 mm BB
Magazine Capacity	190 rounds
Shooting Mode	Full Auto, Semi Auto and Safety (45° Safety Selector)
Muzzle Velocity (Adjustable)	Step 1 : 337 FPS Step 2 : 370 FPS
	Step 1 : 280 FPS Step 2 : 302 FPS

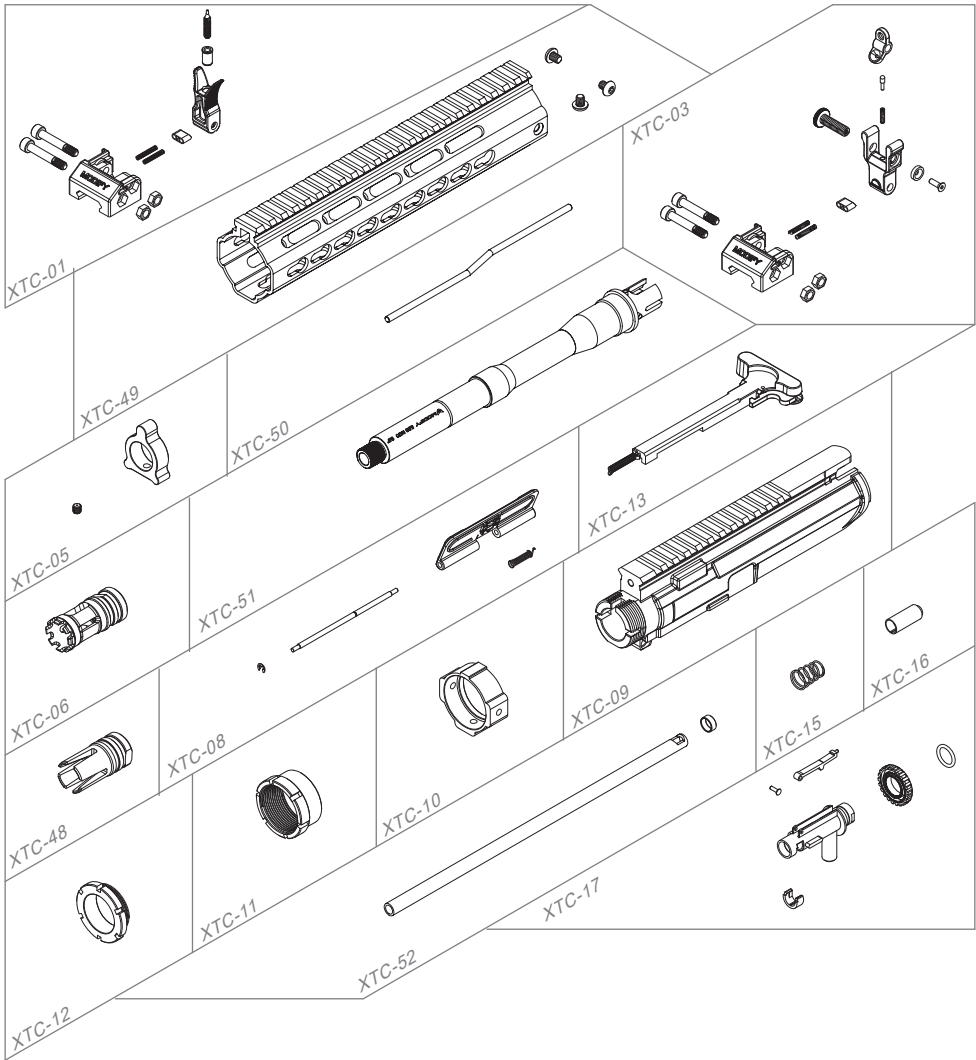
WARNING

- The operation procedure varies according to the model. Make sure to operate an airsoft gun after recognizing its features.
- We are not responsible for any accidents, events, injuries or repair costs arising from wrong operation and handling or by modification and disassembly of the gun.

Notice before operation :

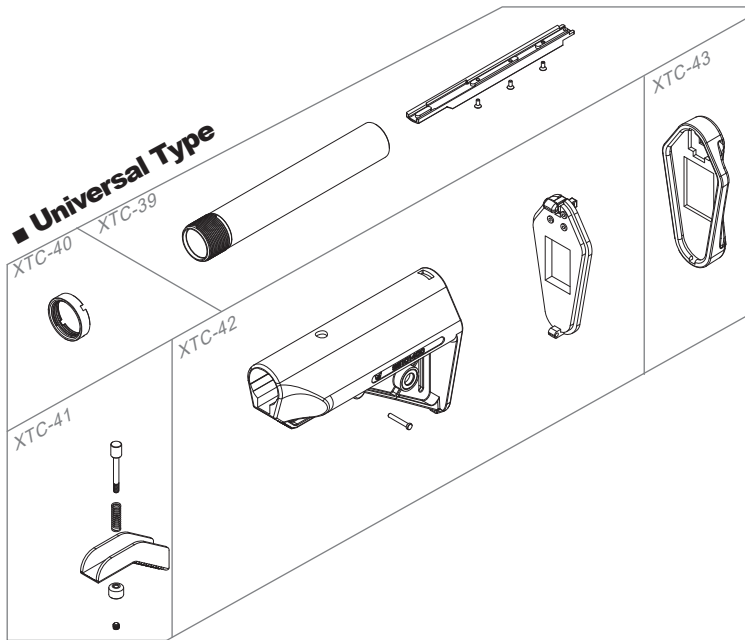
- After receipt the **XTC CQB**, immediately unpack and inspect it for any shipping damage or missing parts. If any sign of damage or missing parts are found, immediately notify the dealer.
- Promptly request a copy if you lose the Handling Cautions and Instruction Manual.

2-1 EXPLODED VIEW



XTC-01	Front Sight	XTC-48	Flash Hider (Orange tip)	XTC-12	Barrel Nut
XTC-49	Key Mod Rail	XTC-51	Outer Barrel	XTC-13	Charging Handle Set
XTC-03	Rear Sight	XTC-08	Bolt Cover	XTC-52	Inner Barrel
XTC-04	Gas Tube	XTC-09	Upper Receiver	XTC-15	Hop Up Spring
XTC-05	Gas Block	XTC-10	Rear Base	XTC-16	Hop Up Bucking
XTC-06	Flash Hider	XTC-11	Rear Lock Ring	XTC-17	Hop Up Chamber

2-3 EXPLODED VIEW



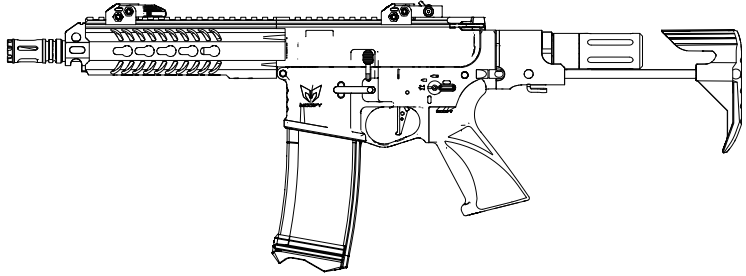
XTC-39	Stock Buffer Tube A	XTC-41	Stock Release Lever Set	XTC-43	Stock Pad
XTC-40	Buffer Tube Retainer	XTC-42	Crane Stock Set		

XTC PDW

Xtreme Tactical Carbine

3 SET CONTENTS

① XTC PDW



② Handling cautions and instruction manual



③ BB pellets



④ Front sight tool adjustment

XTC PDW Automatic Electric Gun Specification

Name	Xtreme Tactical Carbine PDW
Major Color	BLK
Weight	2.5 KG
Overall	590 mm / 675 mm (with stock extended)
Barrel Length	205 mm
Barrel Caliber	6.1 mm
Pellet	6 mm BB
Magazine Capacity	190 rounds
Shooting Mode	Full Auto, Semi Auto and Safety (45° Safety Selector)
Muzzle Velocity (Adjustable)	335 ±10 FPS
	280 ±10 FPS

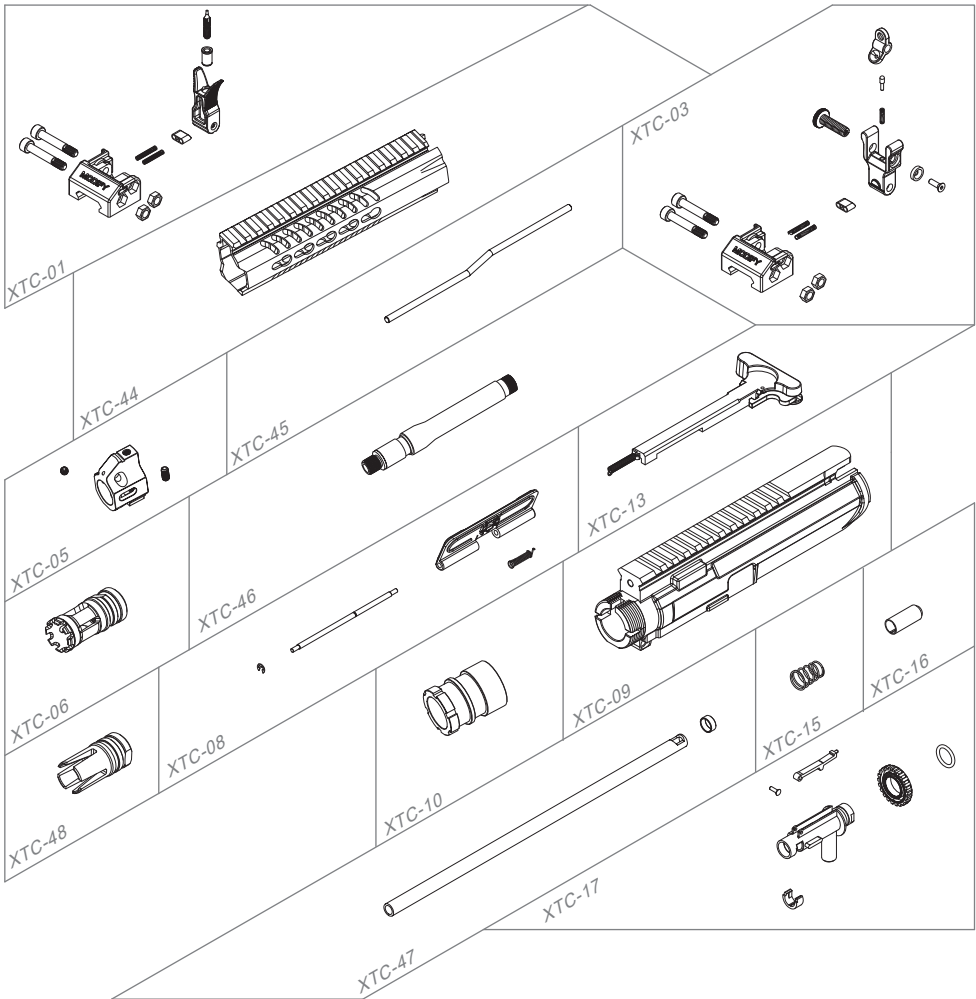
WARNING

- The operation procedure varies according to the model. Make sure to operate an airsoft gun after recognizing its features.
- We are not responsible for any accidents, events, injuries or repair costs arising from wrong operation and handling or by modification and disassembly of the gun.

Notice before operation :

- After receipt the **XTC PDW**, Immediately unpack and inspect it for any shipping damage or missing parts. If any sign of damage or missing parts are found, immediately notify the dealer.
- Promptly request a copy if you lose the Handling Cautions and Instruction Manual.

3-1 EXPLODED VIEW

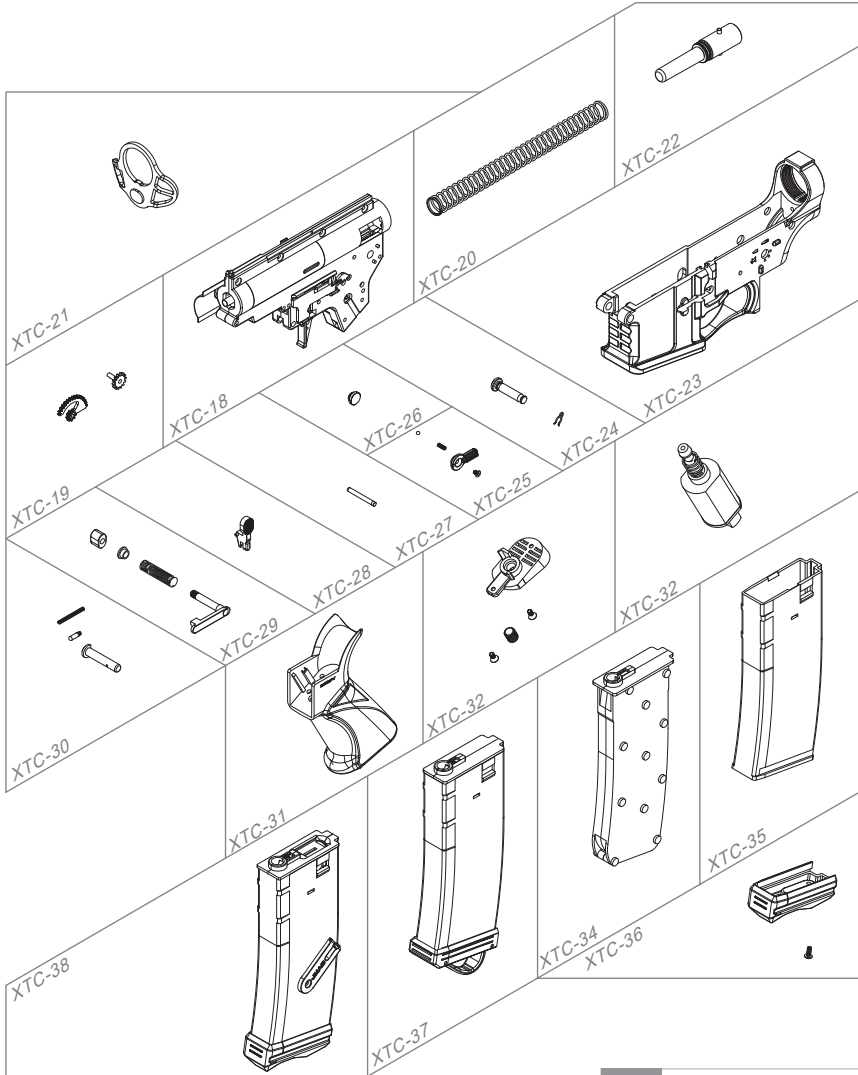


XTC-01	Front Sight	XTC-48	Flash Hider (Orange tip)	XTC-47	Inner Barrel
XTC-44	Key Mod Rail	XTC-46	Outer Barrel	XTC-15	Hop Up Spring
XTC-03	Rear Sight	XTC-08	Bolt Cover	XTC-16	Hop Up Bucking
XTC-45	Gas Tube	XTC-09	Upper Receiver	XTC-17	Hop Up Chamber
XTC-05	Gas Block	XTC-10	Rear Base		
XTC-06	Flash Hider	XTC-13	Charging Handle Set		

XTC PDW

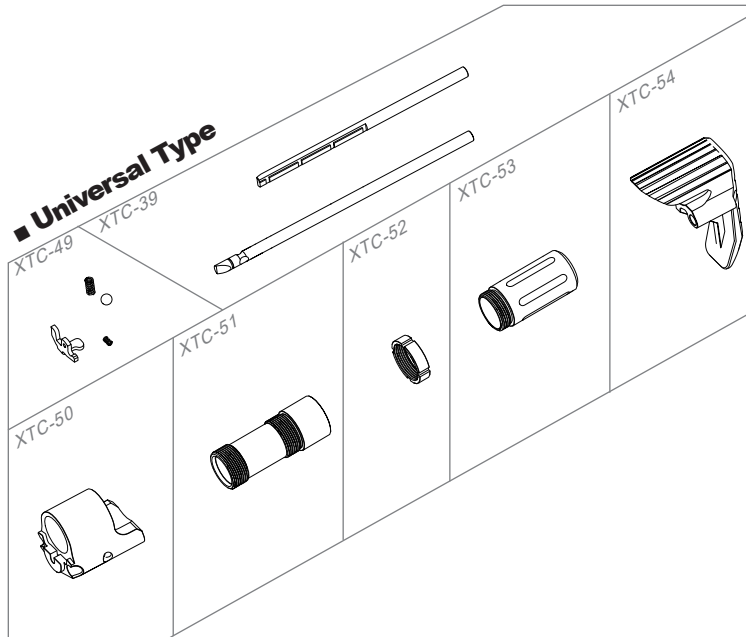
Xtreme Tactical Carbine

3-2 EXPLODED VIEW



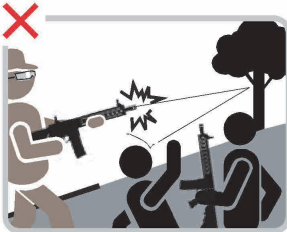
XTC-18	Gear Box Set	XTC-25	Safety Selector	XTC-32	Motor Base Plate
XTC-19	Selector Lever Gear Set	XTC-26	Safety Selector Cover	XTC-33	Motor
XTC-20	Spring-M110 / Spring-M90	XTC-27	Gear Box Pin	XTC-34	Magazine Housing Set
XTC-21	Swivel Sling	XTC-28	Bolt Catch	XTC-35	Magazine Body
XTC-22	Spring Guide	XTC-29	Magazine Catch Set	XTC-36	Magazine Base Plate
XTC-23	Lower Receiver	XTC-30	Take Down Pin Set (Front)		Option
XTC-24	Take Down Pin Set (Rear)	XTC-31	Grip	XTC-37	Bhive 150-Round AEG Tracer Magazine
				XTC-38	J-Mag 300-Round AEG Tracer Magazine

3-3 EXPLODED VIEW



XTC-39	Stock Poles	XTC-51	Stock Center Pole	XTC-54	Butstock
XTC-49	Stock Parts	XTC-52	Stock Pad		
XTC-50	Stock Sliding Lock Block	XTC-53	Battery cap		

4 WARNING & CAUTIONS



Always wear eye protective gear. When shooting the airsoft gun for a target or game, you and all participants must wear goggles or other eye protective gear, also paying attention to ricochets. (Pay sufficient attention also to third personnel other than participants.



Never aim or shoot a person or animal as the target.



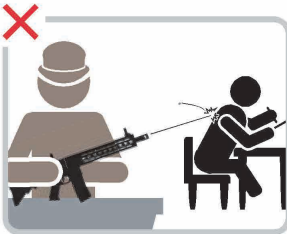
BB pellets may be shot out even if the magazine is removed.



Never shoot the airsoft gun at places where people and cars pass cross.



Never shoot as joking, always look before shooting, the careless use may cause injure and be punished.



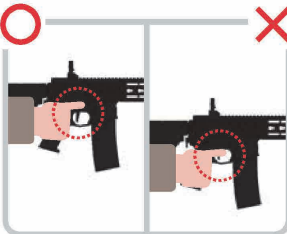
Avoid pulling the trigger carelessly.



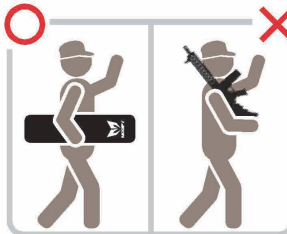
Never look into the airsoft gun muzzle.



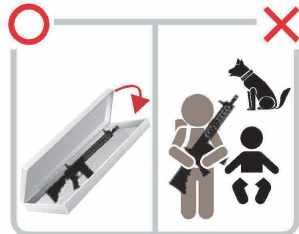
Never disassemble or modify the airsoft gun, it may cause the trouble.



Always keep your finger off the trigger until ready to shoot.



Do not carryout the airsoft gun in public place, put into a case or bag for carrying.



Store the airsoft gun at places out of reach by children.

5 SETTING BATTERY

! WARNING CAUTION

○ Conduct operations hereafter charging the battery.

○ The magazine is done under the condition that it is removed.

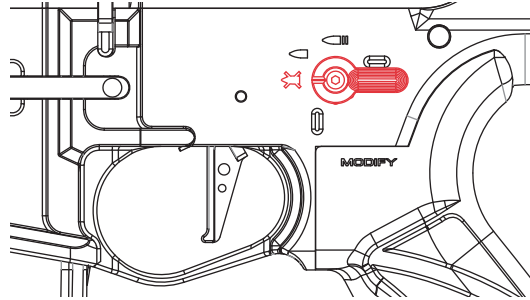
○ Stock must be fully collapsed before opening the stock cover.

SAFE



Set fire selector to safe mode :

Please set the selector to the Safe position.



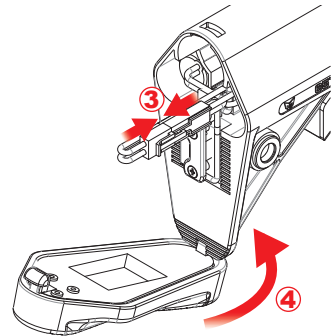
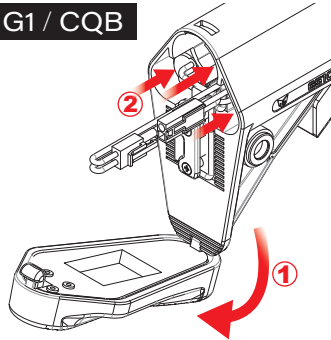
1) Slightly push the button to open the cover.

2) Slide the battery into the crane stock and plug back into the buffer tube.

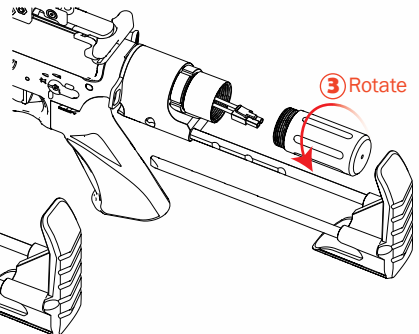
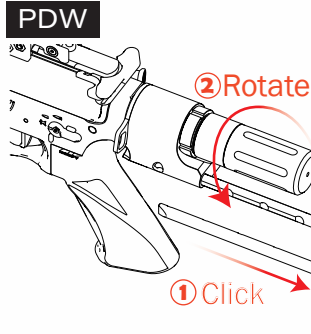
3) Push the connector plugs together firmly until they click into place.

4) Close the butt stock cover.

G1 / CQB



PDW

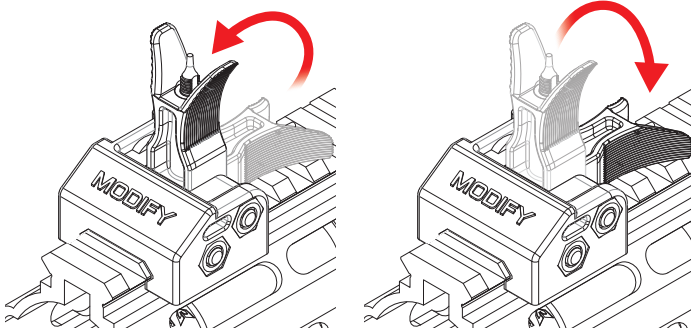


6 SETTING THE OPEN SIGHT

FRONT SIGHT

1. Use the front sight :

Lift the sight when using.

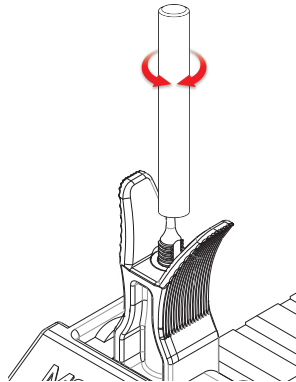


2. Front sight adjustment :

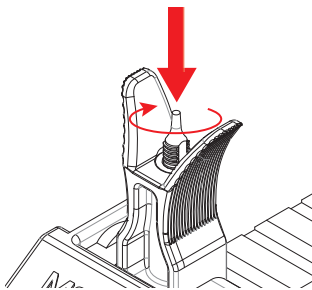
The adjustment tool covers the front sight, it turns, and the top and bottom of the pellet hitting point is adjusted.



Front sight
tool adjustment



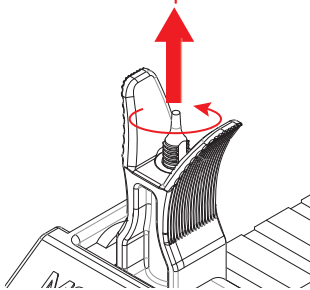
Down



1) Turning clockwise :

Down the sight post,
raise up the pellet hitting point.

Up



2) Turning counterclockwise :

Up the sight post,
lowers the pellet hitting point.

! WARNING
CAUTION

MODIFY Xtreme Tactical Carbine

⊙ Be sure not to lose the adjustment tool.

⊙ It may cause damage when tightening too much.

7 MOVABLE PARTS

! WARNING CAUTION

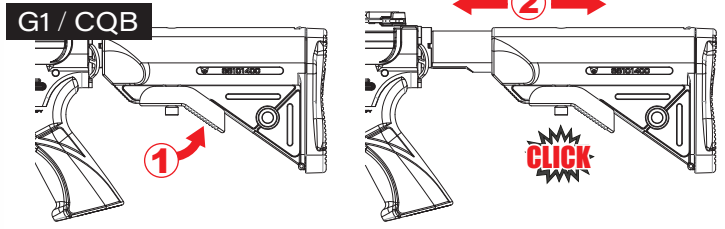
○Be carefully and don't get hurt when using the crane stock.

○Do not push the charging handle forward while charging handle in the rear position.

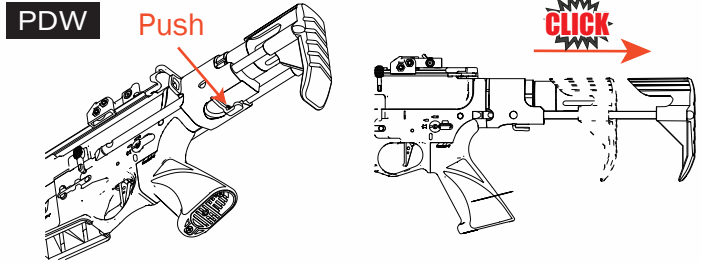
○Be carefully and do not get hurt when press the bolt catch.

1. Operate the Crane Stock :

Adjust length of six positions, adjust to the most comfortable position.

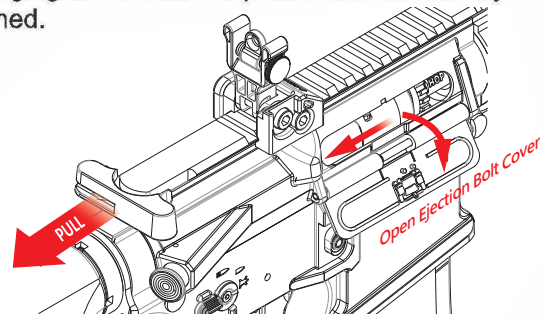


1) Push the stock release button 2) Then adjust the stock position



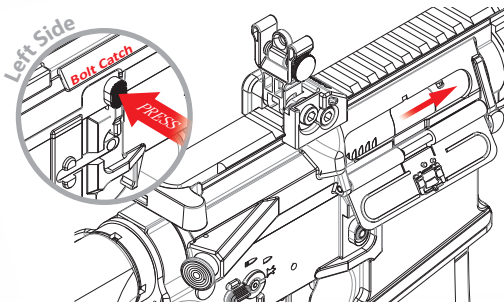
2. Charging :

The Charging handle can be pulled and the dummy bolt will be fastened.



3. Bolt Catch :

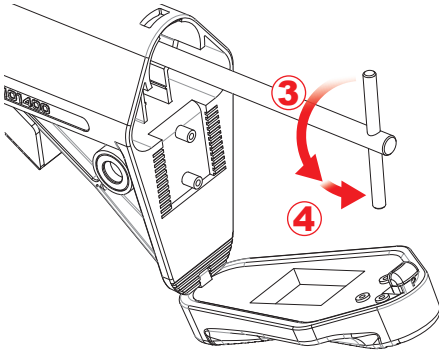
To release bolt, just press the bolt catch.



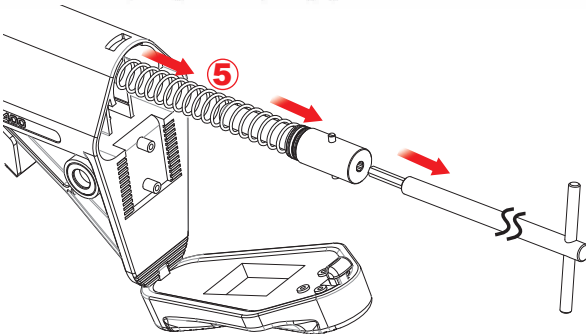
8 MOVABLE PARTS

1. Change spring :

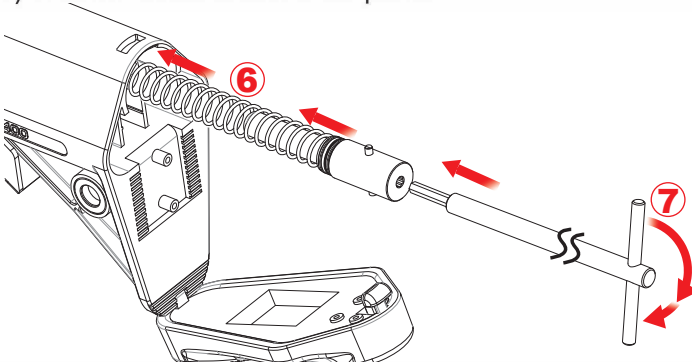
- 1) Slightly push the button to open the cover.
(Please read the page 8 \ 9 before removing battery.)
- 2) Insert long hexagonal key.
- 3) Turn counterclockwise to decrease FPS.
- 4) Turn counterclockwise again to release spring.



- 5) Draw out spring and spring guide.



- 6) Follow the drawing to install the parts with long hexagonal key sequentially.
- 7) Turn clockwise to install the parts.



⊙ Before changing spring, stock must be fully collapsed and battery must be removed.

⊙ Only XTC-G1 and CQB can decrease FPS

9 ADJUSTABLE HOP-UP SYSTEM



⊙ Never use any used and dirty pellets.

⊙ Moving the adjustment dial too much towards HOP may cause clogging of pellets. If pellet clogging occurs, immediately stop firing, return the hop to the normal position, and remove clogging pellets, otherwise the piston and gears will be damaged, if it continues shooting then.

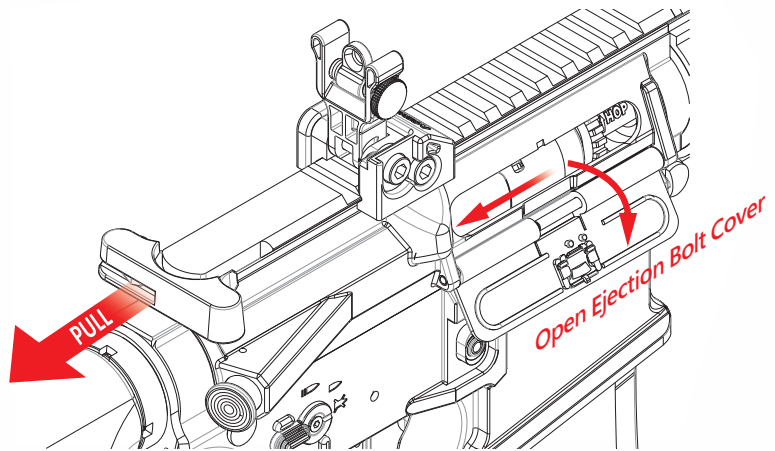
1. Adjustable Hop-Up System :

By producing a back-spin on the BB pellets, this system allows for horizontal shooting toward a long distance target. The Modify adjustable HOP-UP system can tune finely that a spin stars using the adjustment dial.

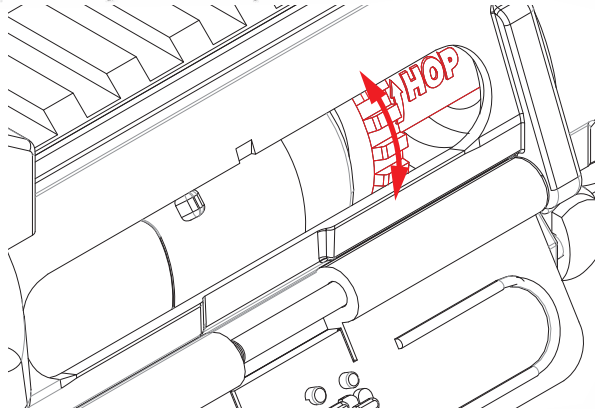
2. Method of adjustment :

Adjust by carrying out trial firing, referring to page 15 "Firing"

1) Pulling the charging handle can open bolt cover to adjust HOP-UP system.



2) Gradually turn the adjustment dial .

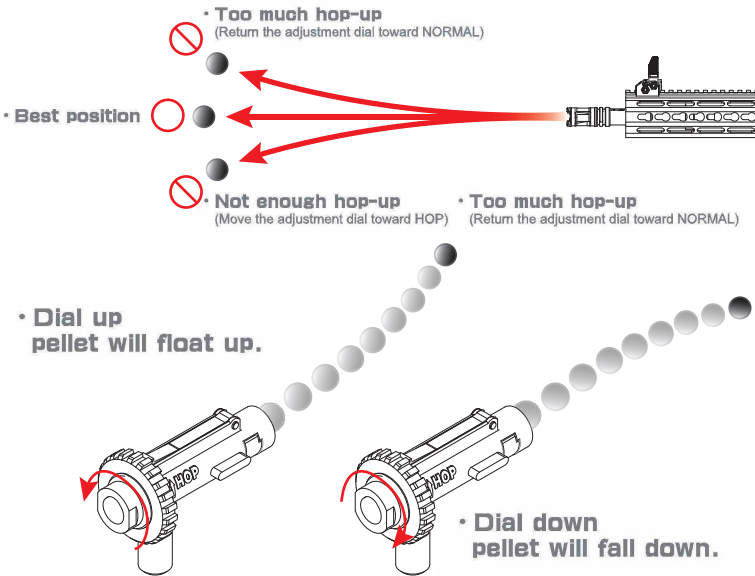


※ Turning excessively adversely affects the trajectory. So, stop turning the hop up adjustment dial when pellets fly horizontally.

10 ADJUSTABLE HOP-UP SYSTEM

3. Adjustment Procedure :

1) The best position is where the pellets fly horizontally and the longest flying distance is obtained.



! WARNING CAUTION

⊙ Never hold the airsoft gun sideways as the BB pellets will curve right or left. This is due to the Hop-Up system.

MODIFY Xtreme Tactical Carbine

2) When about 5,000~10,000 rounds are fired, spray silicone oil to the chamber for 0.5 to 1 sec.

When Hop Up is improper

Symptom	Cause	Action
Severe flying up.	Too much HOP setting.	Gradually return adjustment dial towards Normal.
Short flying distance of pellets. (less hopping up effect)	Not enough Hop setting	
	Hop Up bucking is contaminated by oil or dirt.	Fire pellets equivalent to 4 or 5 magazines or clean the chamber using the cleaning rod.
	Badly worn hop up bucking.	Purchase the replacement part at your dealer or from Modify and replace it.
Cannot adjust	Damaged adjustment dial or other worn parts.	Purchase the replacement part at your dealer or from Modify and replace it.
Frequent pellet clogging	Too much HOP setting.	Gradually return adjustment dial towards Normal.
	Improper or too large sized BB pellets.	Use the BB pellet supplied by MODIFY.
	Dirty bore.	Clean using the cleaning rod or consult your dealer or MODIFY for repair.

11 TROUBLE CLINIC

	Symptoms	Cause	Action
1	BB pellet travels upward	Too much Hop-Up setting.	Gradually return adjustment dial towards Normal.
		Too much Hop-Up setting.	Gradually return adjustment dial towards Normal.
		Hop-Up bucking is contaminated by oil or dirt.	Fire pellets equivalent to 4 or 5 magazines or clean the chamber using the cleaning rod.
2	Short flying distance of pellets. (less Hop-Up effect)	Worn Hop-Up bucking.	Purchase the replacement part at your dealer or from Modify and replace it.
		Damaged adjustment dial or other worn part.	Purchase the replacement part at your dealer or from MODIFY and replace it.
3	Cannot adjust	Poor BB pellet (distorted in roundness)	Use the BB pellet supplied by MODIFY.
		Too much Hop-Up setting	Gradually return adjustment dial towards Normal.
		Dirty Hop-Up packing	Clean using the cleaning rod or consult your dealer or MODIFY for repair.
4	Frequent pellet clogging	Pellets are clogged inside the magazine.	Insert the charging rod into the magazine and move it up and down a few times.
		Pellets are clogged in the chamber.	Remove clogged pellets using the cleaning rod.
		Faulty gear or internal components was damaged.	Purchase the replacement part at your dealer or from Modify and replace it.
5	Motor is running but no pellet can be fired.	Poor BB pellet (too small sized BB pellets)	Use the BB pellet supplied by MODIFY.
		Worn or damaged hop up bucking.	Purchase the replacement part at your dealer or from Modify and replace it.
6	BB pellets roll out from the barrel	Piston problem caused by too many blank firing.	Purchase the replacement part at your dealer or from Modify and replace it.
		Worn or damaged gears.	Purchase the replacement part at your dealer or from Modify and replace it.
			Adjust motor base plate.
7	Overly loud operating noise		

12 TROUBLE CLINIC

	<i>Symptoms</i>	<i>Cause</i>	<i>Action</i>
8	Malfunction of full auto	Insufficient battery power.	Charge the battery.
		Faulty pellet feed of magazine.	Repair clogging of the magazine.
9	Malfunction of semi auto	Insufficient battery power.	Charge the battery.
		Poor electric connection.	Consult your dealer or Modify overhaul maintenance or repair.
		Worn or damaged hop up bucking.	Purchase the replacement part at your dealer or from Modify and replace it.
		Worn or damaged piston set (O-ring, piston, spring)	Purchase the replacement part at your dealer or from Modify and replace it.
		Shortage of silicone oil.	Place a few drops of silicone oil onto the upper chamber.
		Deviation in gear timing.	Fire 5~6 rounds in full auto then switch back to semi auto again.
10	No operation at all	Gear problem caused by too many blank firing.	Purchase the replacement part at your dealer or from Modify and replace it.
		Selector dial is set to safety.	Set the selector to AUTO or SEMI.
		Battery is dead.	Replace or Charge the battery.
		Battery connector is disconnect.	Connect the connector.
		Expired motor life (50,000 to 60,000) or poor motor electrical connection.	Replace the dead motor. Check and repair the motor.
11	If gun gets wet	The fuse blew out.	Replace the fuse.
		Stop operation immediately, disconnected the battery. Wipe off water from inside the body and battery also. After confirmation the gun is completely dry, test fire. If there has no operation, please contact your local dealer for repair.	



MODIFY

MODIFY and its logo are registered trademarks.

We promise our customers the best services and premium quality products with value.
Please visit our website at www.modify-tech.com.tw and leave your comments.

MODIFY-TECH CO.,LTD.

 <https://www.facebook.com/modifyairsoft/>

 <https://www.instagram.com/modifytechtw/>

 <http://www.youtube.com/c/modifytw>



886-3-379-8879



886-3-369-5091



service@modify.com.tw



NO.21, Ln.384, Yongfeng Rd. Bade Dist, Taoyuan City 334015, Taiwan